



PT HOSE TOOL



GUARANTEED TO SAVE TIME AND MONEY AND REDUCE POTENTIAL INJURIES.

PT HOSE TOOL is a portable, alternative hose assembly tool that requires little effort for quick and safe installation of hose couplings. The proper use of the PT Hose Tool can save time and reduce damaged fittings and hoses.

FEATURES AND BENEFITS:

- Portable - Lightweight aluminum and plastic allow for easy transport for field repairs with interchangeable sizes
- Three-set screws allow for quick size changes
- Work safe and protect fittings - No need to boil hoses and swing sledgehammers
- Ease of use - PT Hose Tool design allows for easy centering of fittings for quick hose assembling
- Engineered, cast, machined and assembled in the USA



Visit your local PT Representative
call 1-800-654-0320

www.ptcoupling.com



HOW IT WORKS

To operate simply place the fitting over the PT Hose Tool insert, put the fitting to the edge of the hose, and start pumping the arms.

The PT Hose Tool uses upper-body arm strength with pumping action.

PT knows that safety is important, that's why swinging sledgehammers and boiling hoses are a thing of the past.

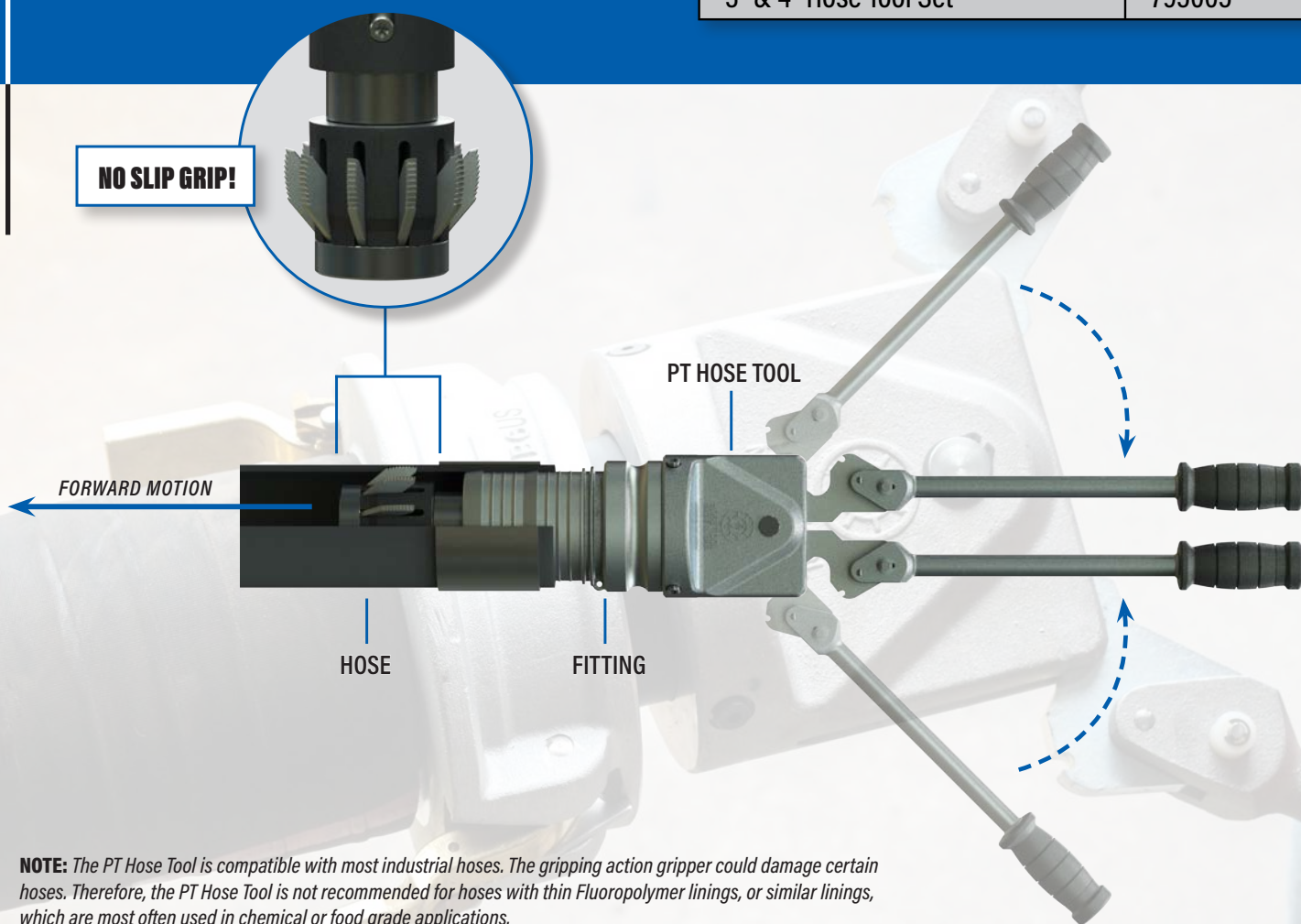
Fast and effective the Hose Tool is a high-quality product that is proudly made in the USA.

**PT HOSE TOOL IS ENGINEERED
AND DESIGNED WITH OPERATOR
SAFETY AND EFFICIENCY IN MIND**

PT HOSE TOOL SIZES & INSERTS

DESCRIPTION	ITEM NO.
3" Hose Tool Assembly (13 lbs.)	795300A
4" Hose Tool Assembly (16 lbs.)	795000A
HT 300 Insert	795300
HT 400 Insert	795400
3" & 4" Hose Tool Set	795005

NO SLIP GRIP!



NOTE: The PT Hose Tool is compatible with most industrial hoses. The gripping action gripper could damage certain hoses. Therefore, the PT Hose Tool is not recommended for hoses with thin Fluoropolymer linings, or similar linings, which are most often used in chemical or food grade applications.

Call your local PT Representative today or go online to find out how PT has solutions for your needs:

CALL 800-654-0320 / EMAIL: INFO@PTCOUPLING.COM

NAHAD
HOSE SAFETY INSTITUTE
MEMBER



www.ptcoupling.com

