



LONG B COUPLER



Standard 30B



30B Long

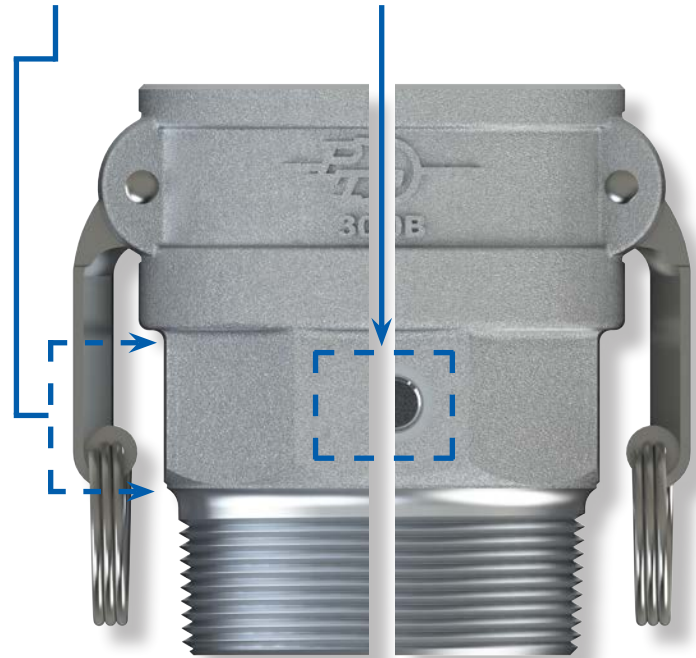
PT COUPLING'S NEW LONG B COUPLERS, also known as "Long B," are made from high quality Aluminum A-356 material and are further strengthened to T-6 hardness to ensure lightweight durability. The Long B is the solution for camming cam arms in tight areas, such as tanks, flanges and pump housings. It can also be machined with a port for adding sampling valves or pressure gauges.

ADVANTAGES:

- Cast, machined and assembled in the USA
- Taller height allows for full cam lock
- Machined port option available with various thread types in 1/4 inch, 1/2 inch, or 3/4 inch sizes
- Superior pressure ratings that surpass industry standards
- Compatible with STA-LOK® II cam arms
- Available in: 2 inch, 3 inch, and 4 inch

TALLER!
SEE DIMENSIONS
ON BACK!

OPTIONAL
EASILY MACHINED PORT
ON OCTAGON-BASE SHAPE



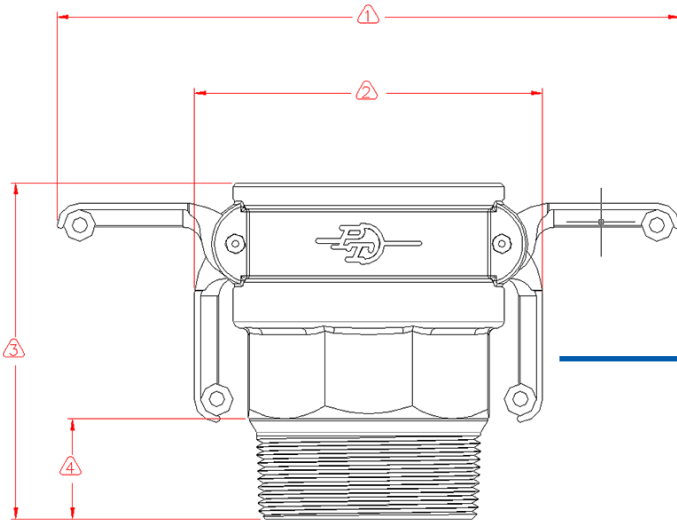
Visit your local PT Representative or
call 1-800-654-0320

www.ptcoupling.com



LONG B COUPLER

Call us for a quote on different material options!



LONG B COUPLER SPECIFICATIONS (ALUMINUM)

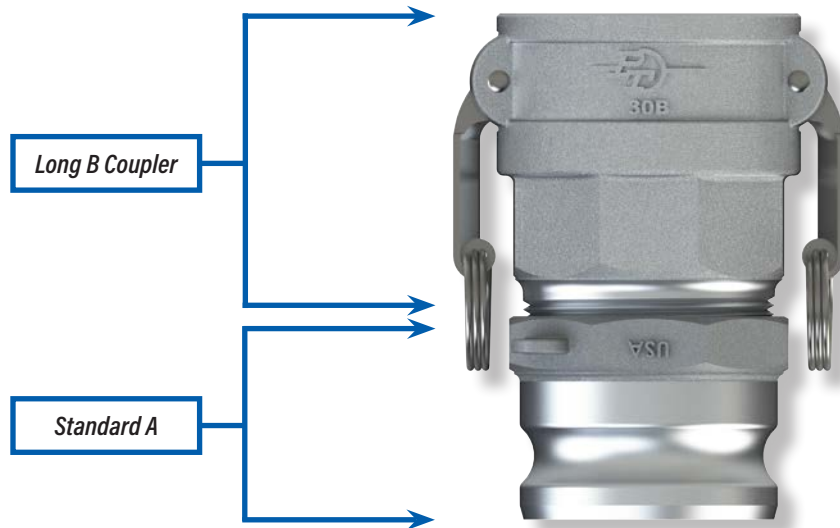
Standard item number includes Aluminum Body, HBS Cam Arms, Buna-N Gasket and Male NPT Thread.

ITEM # : PART DESCRIPTION	DIM 1	DIM 2	DIM 3	DIM 4	WEIGHT
10002204: 20B Long Alum	7.7"	3.9"	4.4"	1.0"	1 lbs.
10002304: 30B Long Alum	9.8"	5.5"	5.3"	1.6"	2 lbs.
10002404: 40B Long Alum	10.9"	6.6"	5.5"	1.7"	3 lbs.

MORE OPTIONS!

PT'S NEW LONG B COUPLERS can be used with other fittings to create different configurations while utilizing the port.

For example: Create CxA's with a Long B attached to a standard A.



Call your local PT Representative today or go online to find out how PT Coupling has solutions for your needs:

CALL 800-654-0320 / EMAIL: INFO@PTCOUPLING.COM

www.ptcoupling.com



@ptcouplingusa



/ptcoupling

