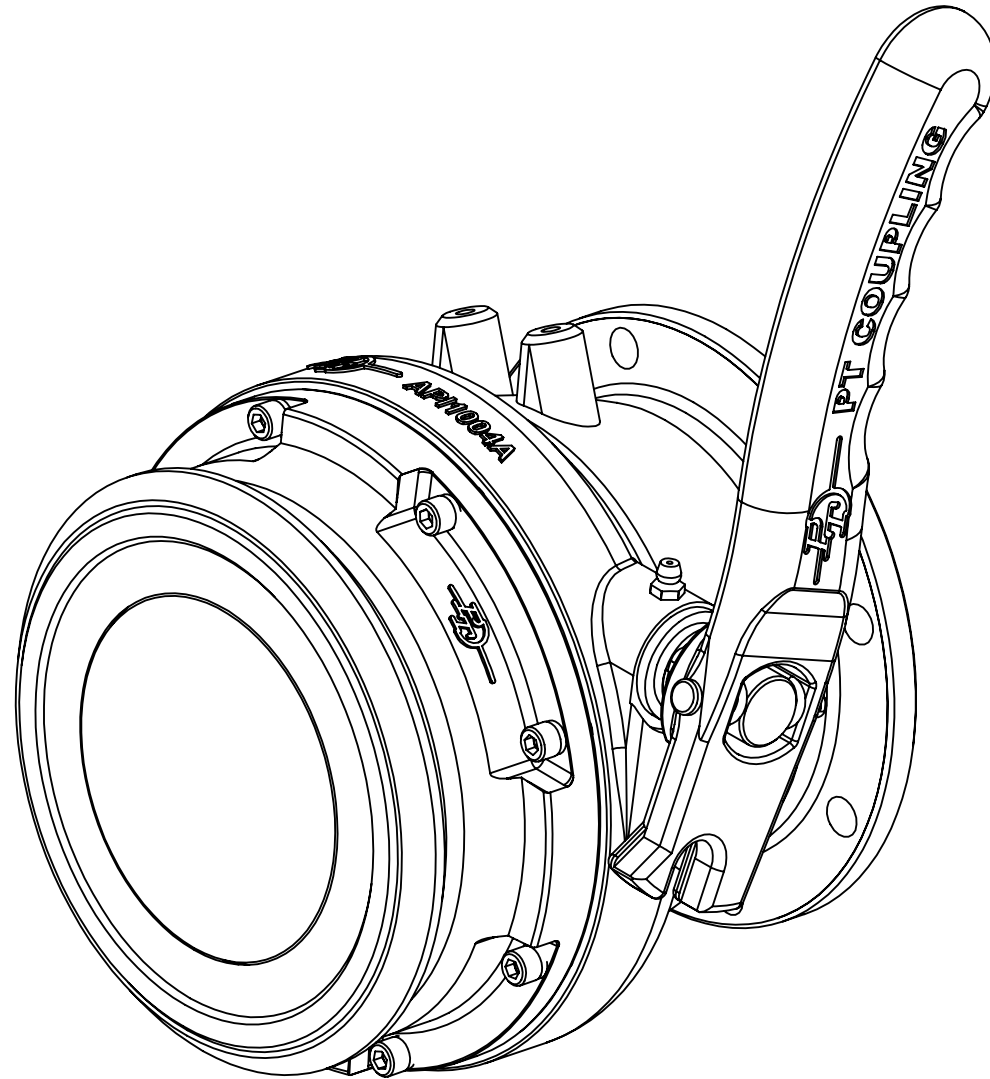
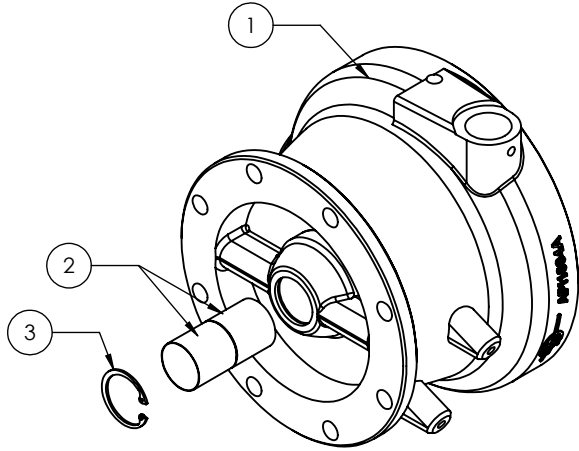


PT COUPLING API1004A ADAPTER ASSEMBLY INSTRUCTIONS & PARTS PAGES

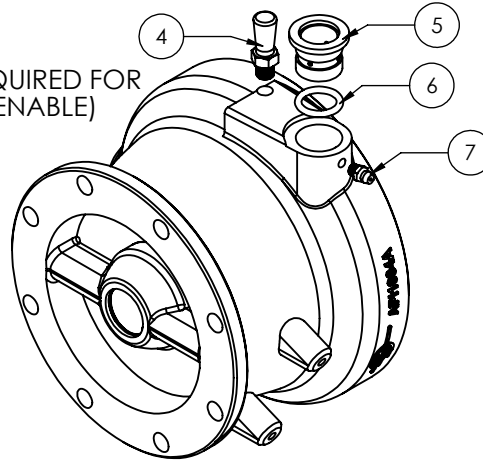


STEP 1



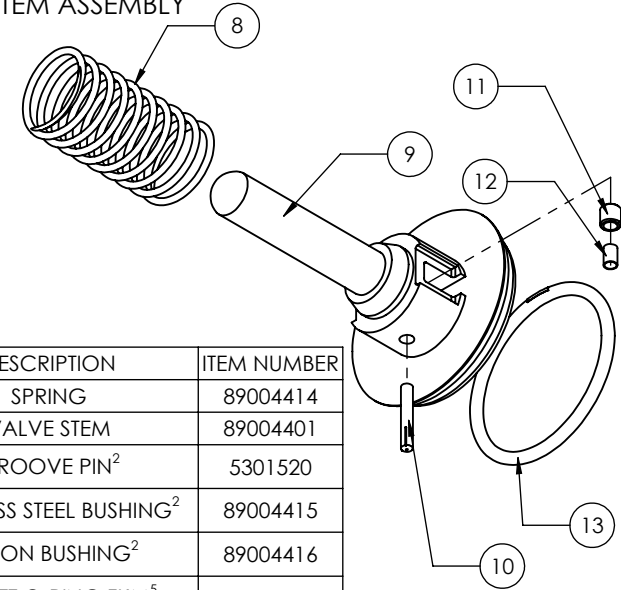
REF	DESCRIPTION	ITEM NUMBER
1	BODY	VARIES
2	NYLON BUSHING ²	89004438
3	RETAINING RING ²	89004439

STEP 2
(NOT REQUIRED FOR
NON OPENABLE)



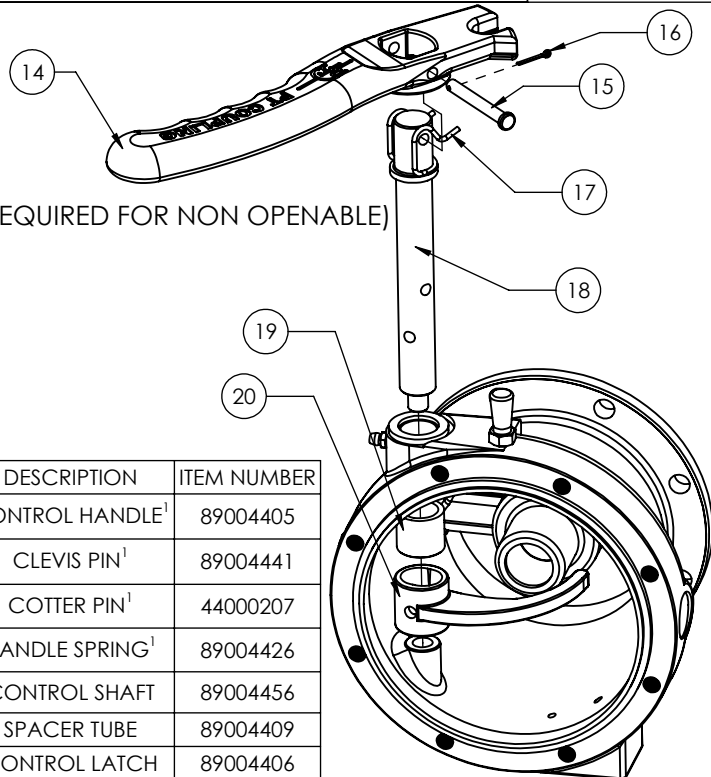
REF	DESCRIPTION	ITEM NUMBER
4	HANDLE LATCH PIN	89004444
5	TEFLON BUSHING ²	89004411
6	SHAFT O-RING FKM ⁵	89004428
6	SHAFT O-RING BUNA ⁶	89005132
6	SHAFT O-RING FKM-GFLT ⁷	89005142
7	GREASE FITTING	89004447

STEP 3
VALE STEM ASSEMBLY



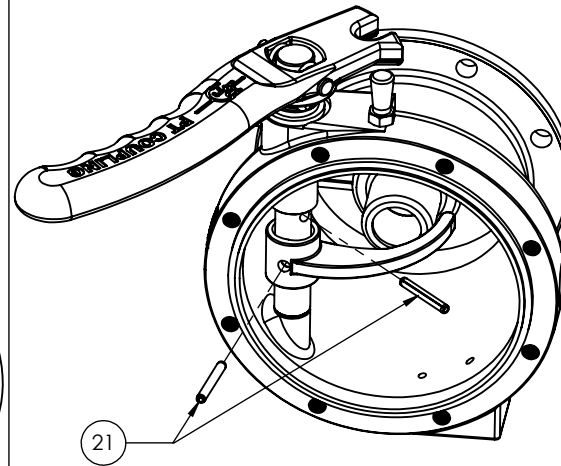
REF	DESCRIPTION	ITEM NUMBER
8	SPRING	89004414
9	VALVE STEM	89004401
10	GROOVE PIN ²	5301520
11	STAINLESS STEEL BUSHING ²	89004415
12	TEFLON BUSHING ²	89004416
13	POPPET O-RING FKM ⁵	89004413
13	POPPET O-RING BUNA ⁶	89005139
13	POPPET O-RING FKM-GFLT	89005147

STEP 4
(NOT REQUIRED FOR NON OPENABLE)



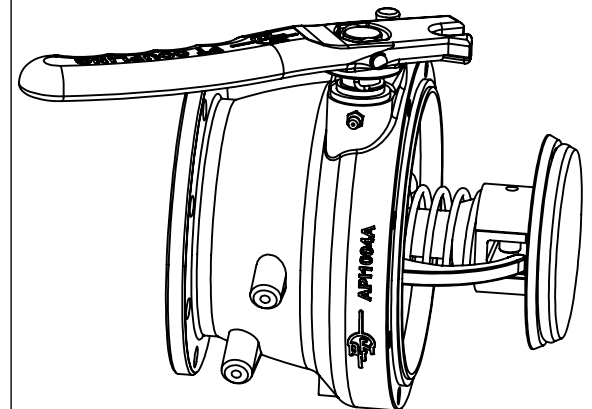
REF	DESCRIPTION	ITEM NUMBER
14	CONTROL HANDLE ¹	89004405
15	CLEVIS PIN ¹	89004441
16	COTTER PIN ¹	44000207
17	HANDLE SPRING ¹	89004426
18	CONTROL SHAFT	89004456
19	SPACER TUBE	89004409
20	CONTROL LATCH	89004406

STEP 5
(NOT REQUIRED FOR NON OPENABLE)
PAY CLOSE ATTENTION TO ALIGNEMENT

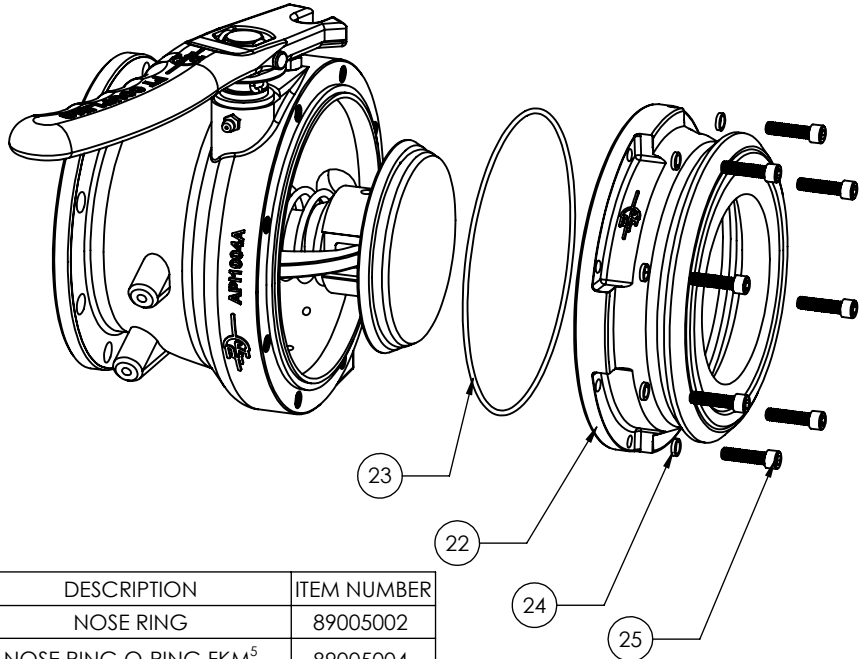


REF	DESCRIPTION	ITEM NUMBER
21	ROLL PIN	89004422

STEP 6
INSTALL VALVE STEM ASSEMBLY, AND INSERT
CONTROL LATCH TANGENT TO STAINLESS
STEEL BUSHING AS SHOWN.

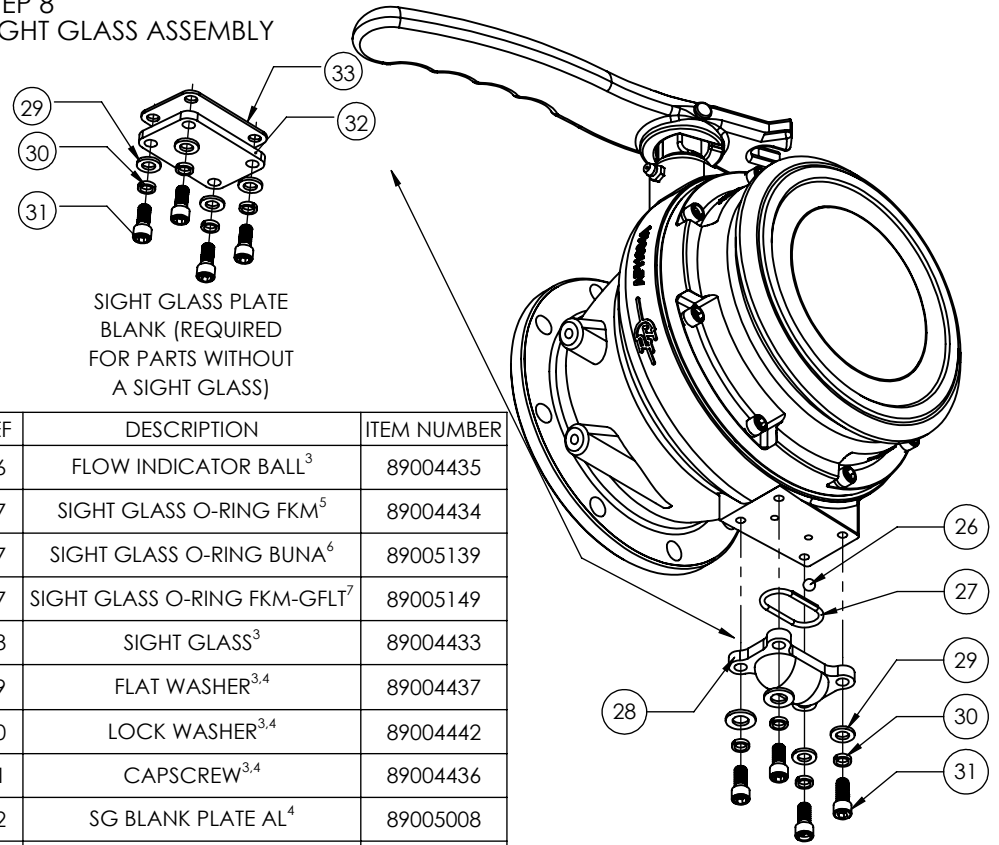


STEP 7



REF	DESCRIPTION	ITEM NUMBER
22	NOSE RING	89005002
23	NOSE RING O-RING FKM ⁵	89005004
23	NOSE RING O-RING BUNA ⁶	89005140
23	NOSE RING O-RING FKM-GFLT ⁷	89005150
24	LOCK WASHER	89004442
25	CAPSCREW	89005003

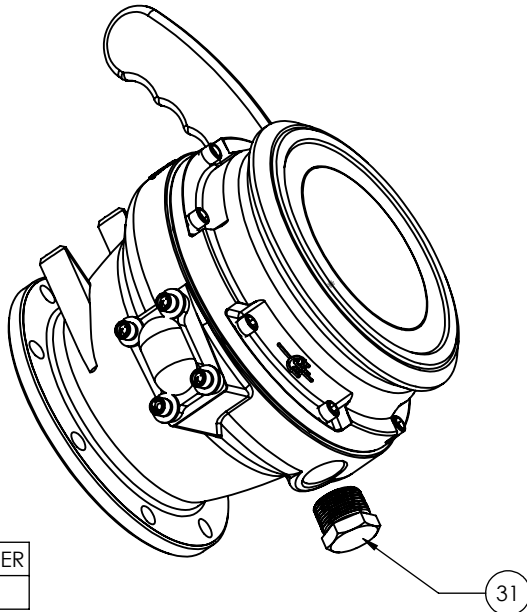
STEP 8
SIGHT GLASS ASSEMBLY



SIGHT GLASS PLATE
BLANK (REQUIRED
FOR PARTS WITHOUT
A SIGHT GLASS)

REF	DESCRIPTION	ITEM NUMBER
26	FLOW INDICATOR BALL ³	89004435
27	SIGHT GLASS O-RING FKM ⁵	89004434
27	SIGHT GLASS O-RING BUNA ⁶	89005139
27	SIGHT GLASS O-RING FKM-GFLT ⁷	89005149
28	SIGHT GLASS ³	89004433
29	FLAT WASHER ^{3,4}	89004437
30	LOCK WASHER ^{3,4}	89004442
31	CAPSCREW ^{3,4}	89004436
32	SG BLANK PLATE AL ⁴	89005008
33	SG BLANK PLATE GASKET VITON ⁴	89005009

STEP 8
DRAIN PLUG



REF	DESCRIPTION	ITEM NUMBER
32	DRAIN PLUG	

REPAIR & REBUILD KITS

REF	DESCRPITION	ITEM NUMBER
XXXX ¹	API1004A HANDLE KIT	89004465
XXXX ²	API1004A BUSHING KIT	89004450
XXXX ³	API SIGHT GLASS KIT	89004419
XXXX ⁴	API SG BLANK-OFF KIT	89004454
XXXX ⁵	API1004A SEAL KIT FKM	89005130
XXXX ⁶	API1004A SEAL KIT BUNA	89005136
XXXX ⁷	API1004A SEAL KIT FKM-GFLT	89005146

ITEMS WITH CORRESPONDING SUPER SCRIPT NUMBERS ARE LOCATED IN THE KIT.