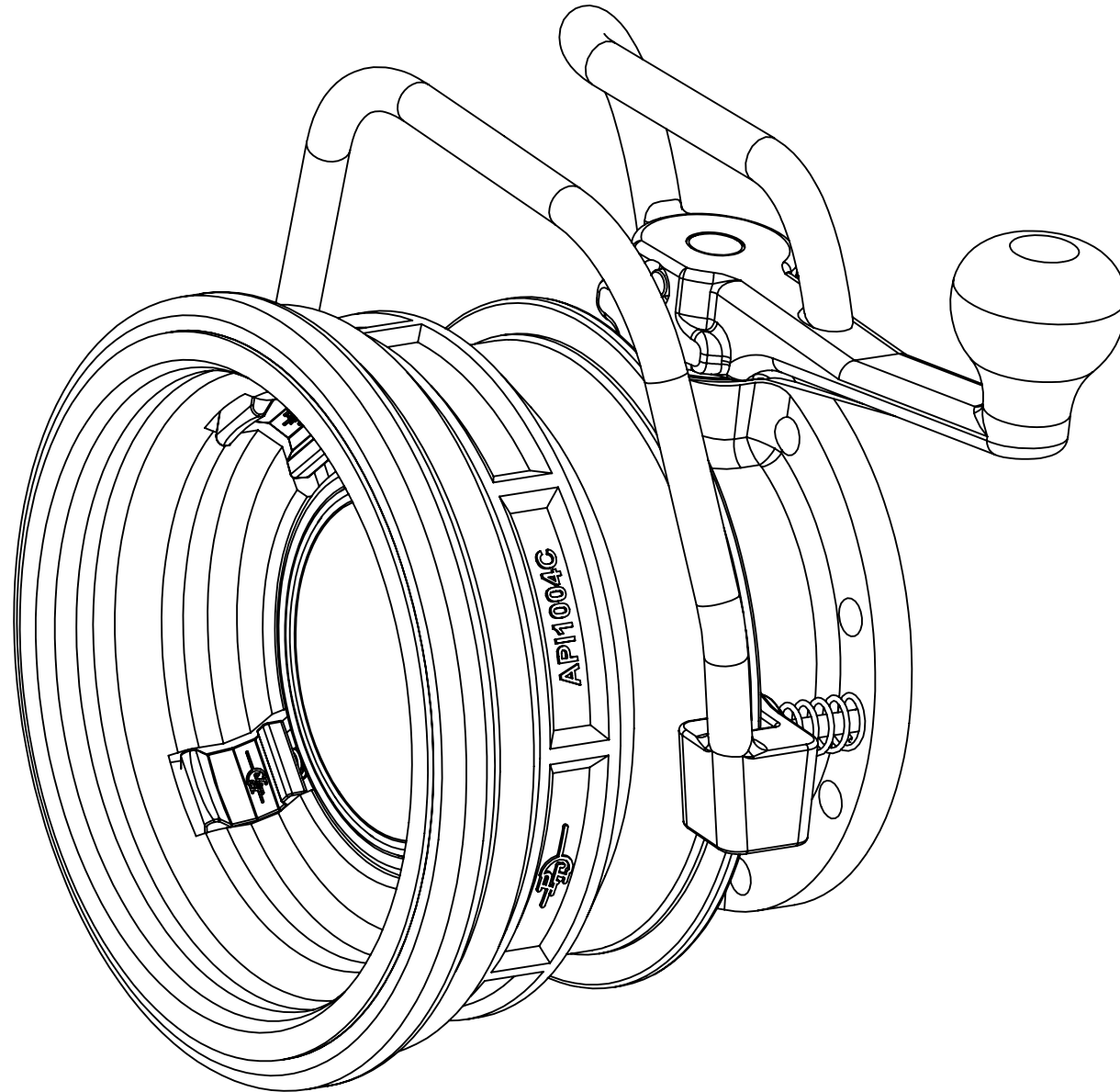
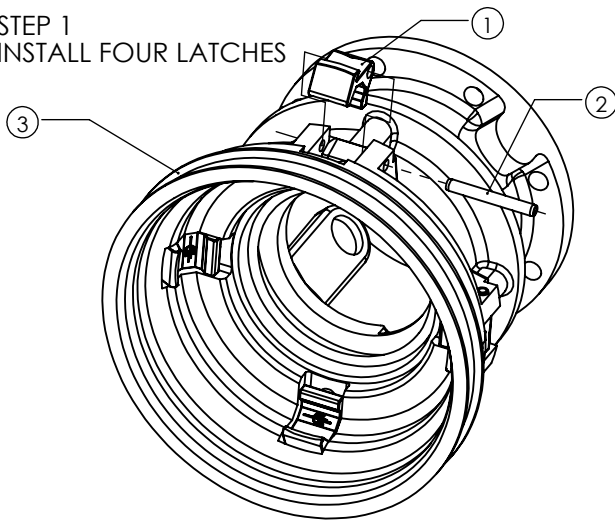


PT COUPLING API1004C COUPLER ASSEMBLY INSTRUCTIONS & PARTS PAGES

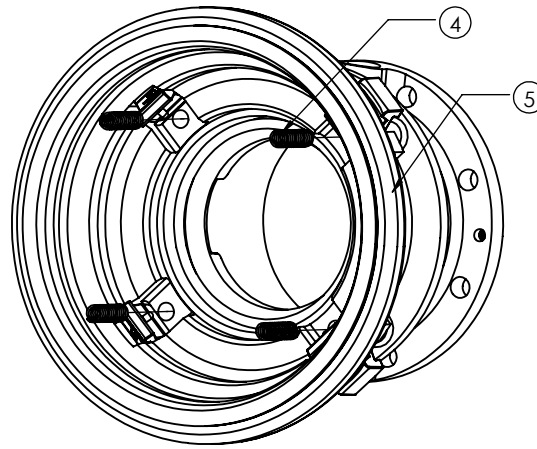


STEP 1
INSTALL FOUR LATCHES



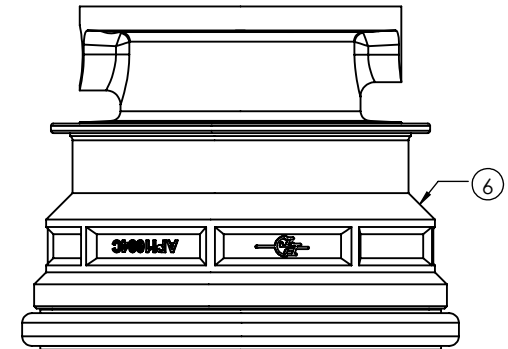
REF.	DESCRIPTION	QTY.	ITEM NUMBER
1	LATCH	4	89005101
2	SLOT PIN	4	89005123
3	BODY	1	89005109

STEP 2
INSERT FOUR SPRINGS AND ADD BUMPER



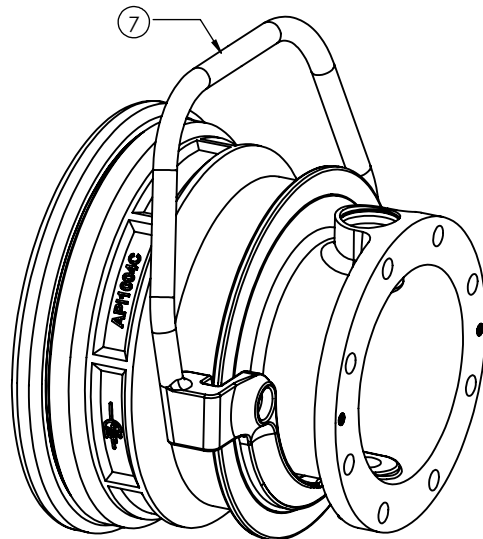
REF.	DESCRIPTION	QTY.	ITEM NUMBER
4	LATCH SPRING	4	89005120
5	BUMPER	1	89005113

STEP 3
SLIDE COLLAR ONTO BODY.
DEPRESS ALL LATCHES SO COLLAR
COMES ALL THE WAY FORWARD



REF.	DESCRIPTION	QTY.	ITEM NUMBER
6	COLLAR	1	89005108

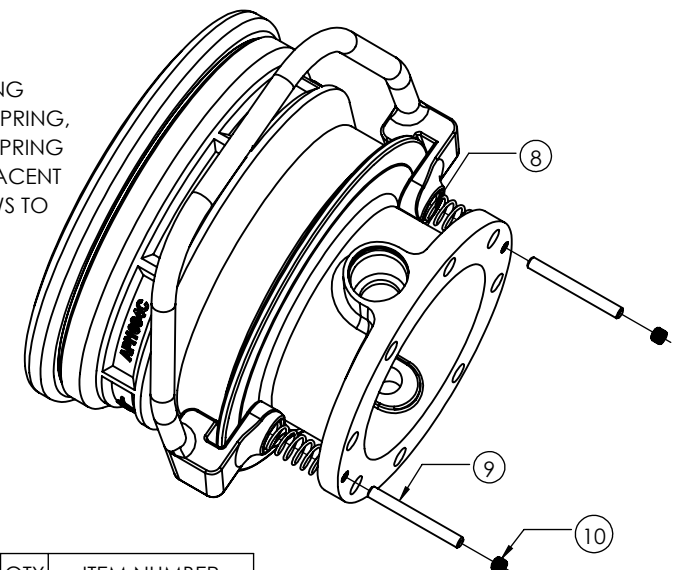
STEP 4
POSITION COLLAR HANDLE IN PLACE



REF.	DESCRIPTION	QTY.	ITEM NUMBER
7	COLLAR HANDLE	1	89005110

STEP 5

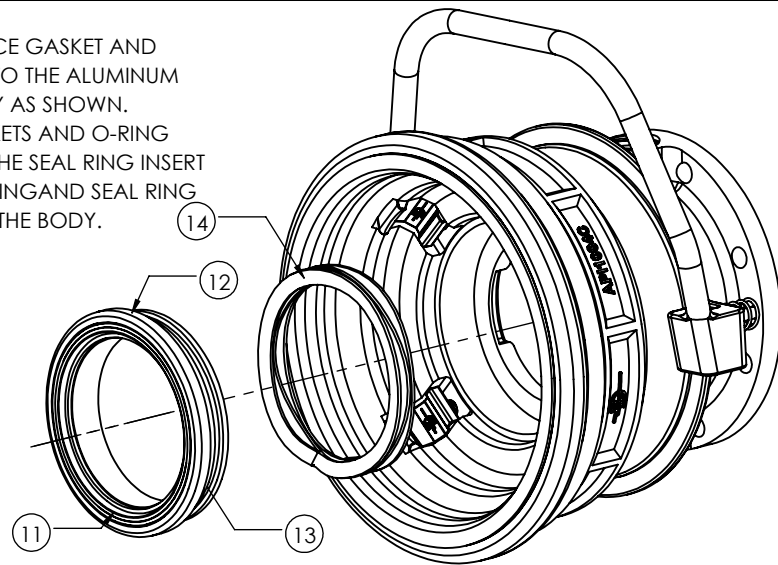
DEPRESS COLLAR SPRING AND
INSERT AS SHOWN. INSERT SPRING
GUIDE PIN THROUGH FLANGE, SPRING,
AND COLLAR HANDLE. ENSURE SPRING
GUIDE PIN ENGAGES WITH ADJACENT
HOLE IN BODY. ADD SET SCREWS TO
FLANGE TO RETAIN GUIDE PINS.



REF.	DESCRIPTION	QTY.	ITEM NUMBER
8	COLLAR SPRING	2	89005121
9	SPRING GUIDE PIN	2	89005105
10	SET SCREW	2	89005124

STEP 6

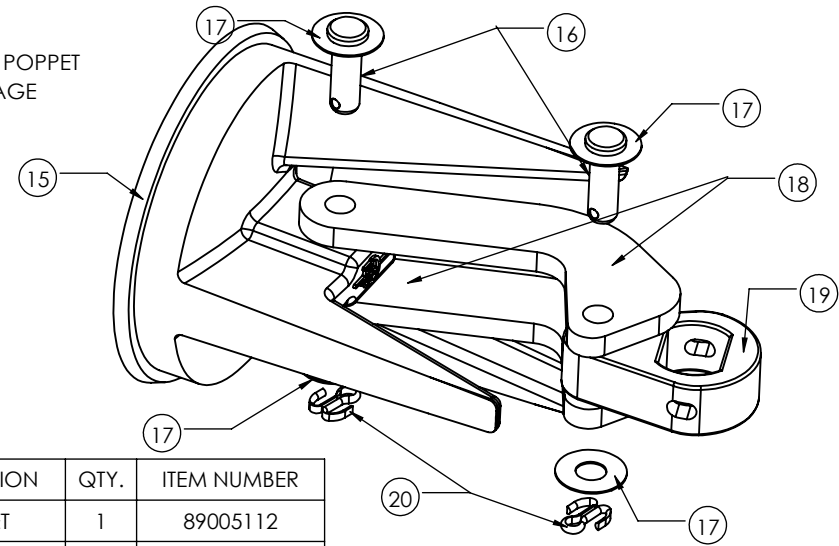
INSERT BOTH FACE GASKET AND SEAL O-RING INTO THE ALUMINUM SEAL RING BODY AS SHOWN. ONCE THE GASKETS AND O-RING ARE ADDED TO THE SEAL RING INSERT BOTH WAVE SPRING AND SEAL RING ASSEMBLY INTO THE BODY.



REF.	DESCRIPTION	QTY.	ITEM NUMBER
11	FACE GASKET VITON	1	89005114
12	SEAL RING	1	89005104
13	SEAL O-RING VITON	1	89005117
14	WAVE SPRING	1	89005116

STEP 7

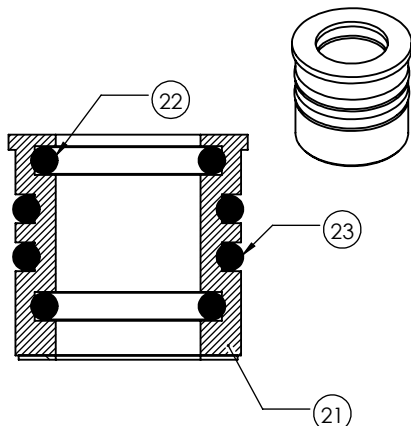
ASSEMBLY POPPET AND LINKAGE



REF	DESCRIPTION	QTY.	ITEM NUMBER
15	POPPET	1	89005112
16	POPPET PIN	2	44000306
17	TEFLON WASHER	4	89005127
18	LINKAGE	2	89005103
19	DRIVE LINK	1	89005102
20	COTTER PIN	2	44000307

STEP 8

ADD O-RINGS TO TOP BUSHING

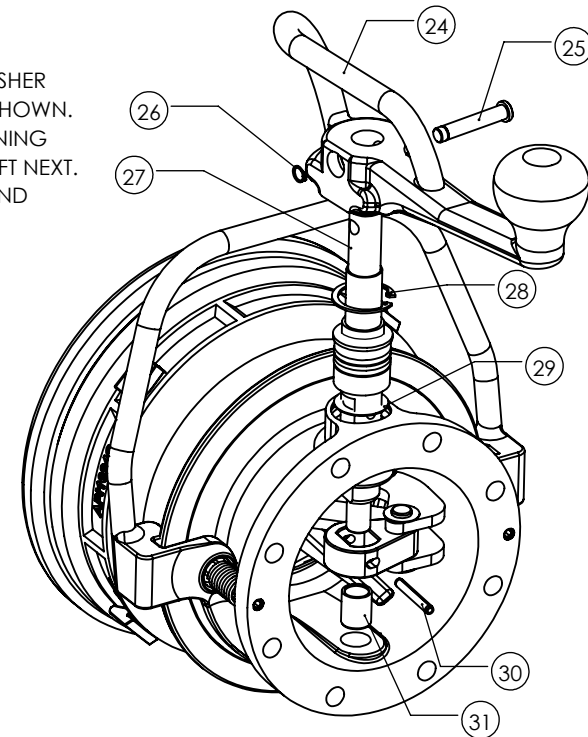


REF	DESCRIPTION	QTY	ITEM NUMBER
21	TOP BUSHING	1	89005107
22	O-RING VITON	2	89004428
23	O-RING VITON	2	89005118

STEP 9

INSERT BOTTOM BUSHING INTO BASE OF BODY. INSERT SHAFT WASHER THEN INSERT THE SHAFT THROUGH THE BODY AND DRIVE NUT AS SHOWN. INSERT TOP BUSHING ASSEMBLY AND SECURE IT ALL WITH A RETAINING RING. INSERT THE SPRING PIN THROUGH THE DRIVE NUT AND SHAFT NEXT. FINALLY ATTACHE THE HANDLE TO SHAFT USING THE CLEVIS PIN AND RETAINING RING.

REF	DESCRIPTION	QTY	ITEM NUMBER
24	HANDLE	1	89005111
25	CLEVIS PIN	1	89005125
26	RETAINING RING	1	89005126
27	SHAFT	1	89005106
28	RETAINING RING	1	89005119
29	SHAFT WASHER	1	89005128
30	SPRING PIN	1	89005122
31	BOTTOM BUSHING	1	89005115



REPAIR & REBUILD KITS

SEAL KITS

API1004C LATCH KIT- ITEM 89005151			
REF.	ITEM	DESCRIPTION	QTY.
1	89005101	LATCH	4
4	89005120	LATCH SPRING	4
2	89005123	SLOT PIN	4

API1004C SEAL RING KIT VITON - ITEM 89005152			
REF.	ITEM	DESCRIPTION	QTY.
11	89005114	FACE GASKET VITON	1
12	89005104	SEAL RING	1
13	89005117	SEAL O-RING VITON	1
14	89005116	WAVE SPRING	1

API1004C POPPET\LINKAGE KIT - ITEM 89005153			
REF.	ITEM	DESCRIPTION	QTY.
15	89005112	POPPET	1
16	44000306	POPPET PIN	2
17	89005127	TEFLON WASHER	4
18	89005103	LINKAGE	2
19	89005102	DRIVE LINK	1
20	44000307	COTTER PIN	2

API1004C SEAL KIT VITON - ITEM 89005129			
REF.	ITEM	DESCRIPTION	QTY.
22	89004428	O-RING VITON	2
11	89005114	FACE GASKET VITON	1
13	89005117	SEAL O-RING	1
23	89005118	O-RING VITON	2
21	89005107	TOP BUSHIN	1
31	89005115	BOTTOM BUSHING	1

API1004C SEAL KIT VITON GFLT - ITEM 89005141			
REF.	ITEM	DESCRIPTION	QTY.
22	89005142	O-RING VITON	2
11	89005143	FACE GASKET VITON	1
13	89005144	SEAL O-RING	1
23	89005145	O-RING VITON	2
21	89005107	TOP BUSHIN	1
31	89005115	BOTTOM BUSHING	1

API1004C SEAL KIT BUNA - ITEM 89005131			
REF.	ITEM	DESCRIPTION	QTY.
22	89005132	O-RING VITON	2
11	89005133	FACE GASKET VITON	1
13	89005134	SEAL O-RING	1
23	89005135	O-RING VITON	2
21	89005107	TOP BUSHIN	1
31	89005115	BOTTOM BUSHING	1